

MSU-1248U-M1

8 Channel
Temperature Scanner
With Data logger And
Modbus Facility.



TECH SPECS

| | | |
|-------------------------|-----------------------------------|--|
| Dimension (H x W x D)mm | 96 x 96 x 66 | |
| Panel Cutout (H x W)mm | 92 x 92 | |
| Input | Thermocouple | J / K (Configurable) |
| | RTD | PT-100 3 Wire / 2 Wire (Configurable) |
| | Analog | 0-10V DC/ 0-20mA DC/ 4-20mA DC (Configurable) |
| Range | Thermocouple | J: 0 to 600° C, K: 0 to 1200° C |
| | RTD | PT-100: -99° C to 400° C PT.1: -99.9° C to 400.0° C |
| | Analog | -999 to 9999 |
| Output | Output 1 | 4 Relay With Grouping Facility |
| | Output 2 | RS 485 MODBUS Communication |
| | Output 3 | USB Port With Data logging Facility |
| Accuracy | ± 1 % FSD | |
| Power Supply | 100 to 270V AC,50/60Hz,Approx 4VA | |
| Certification | | |

APPLICATIONS

Pharma & Chemical Industry application

Generator
Monitoring & Protection

Remote terminal unit (RTU) For SCADA

Compressor/Pump/DG set monitoring

Machine Condition Monitoring

As a distributed I/O module
for interface with PLC/DCS/SCADA

Laboratory Equipment Monitoring

Technical Specifications

Input

| | |
|--|--|
| ADC Resolution | 10 bit |
| Display Resolution | Thermocouple : 1 °C RTD : 1 °C / 0.1 °C Analog input : 0000/000.0/00.00/0.000 Decimal Point selectable |
| Sampling Rate | 250 mS/Channel |
| J , K , PT-100 , PT.1 , 4-20mA DC, 0-20mA DC, 0-10V DC | ± 1 % FSD <i>Accuracy</i> |
| CJC error | ±3 °C |
| T/C Burnout current | 1.10uA |
| RTD excitation current | 0.2mA |
| CMRR | > 120 db (Typical) |
| Input Impedance | > 1 M |
| Max Voltage | 20V DC |

Input Table 1

| Input Type | Range |
|------------|-------------------|
| J | 0 to 600 °C |
| K | 0 to 1200 °C |
| PT-100 | -99 to 400 °C |
| PT.1 | -99.9 to 400.0 °C |
| 4-20 mA DC | -999 to 9999 |
| 0-20mA DC | -999 to 9999 |
| 0-10 V DC | -999 to 9999 |

Power Supply

| | |
|-------------|--------------------------|
| Standard | 100 - 250V AC @ 50/60 Hz |
| Optional | 24V DC |
| Consumption | 4VA |

Relay Output

| | |
|-------------|-----------------------|
| No of Relay | 4 |
| Type | 1 C/O |
| Rating | 5A @ 230V AC / 30V DC |

Display & Keys

| | |
|--|---|
| Process Value | Upper : 0.70" 4 Digit Red LED 7 Segment Display |
| Channel No. & Relay Status | Lower : 0.5" 4 Digit Green LED 7 Segment Display |
| LED Indications | Status of each relay and Alarm |
| 6 controlling keys for configuration and operation | |

Environmental

| | |
|-----------------------|-----------------------|
| Operating Temperature | 0 to 55 °C |
| Storage Temperature | 0 to 70 °C |
| Humidity | 95% RH Non-condensing |

Communication(Optional)

| | |
|-----------|---|
| Type | RS 485 |
| Protocol | MODBUS RTU |
| Baud Rate | 4800, 9600, 19200 (Configurable) |
| Isolation | 2500 V _{RMS} Isolation as per UL 1577 |

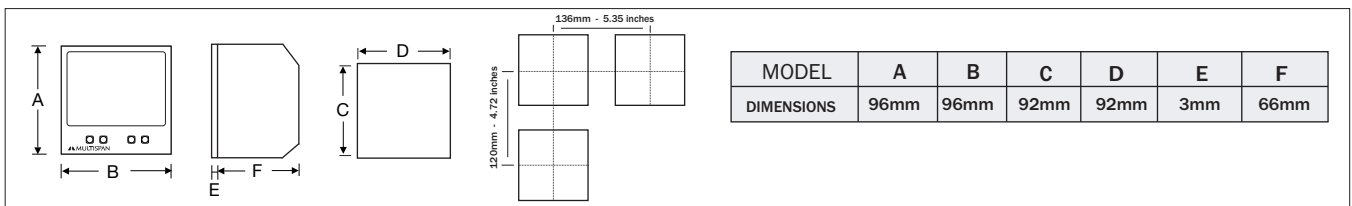
Physical

| | |
|-------------------------|--------------------------|
| Enclosure | Molded ABS |
| Weight (gm) | 375 |
| Color | Black |
| Front Bezel (mm) | 96 x 96 |
| Panel cutout (mm) | 92 x 92 |
| Depth behind panel (mm) | 52 |
| Accessories | 1 pair of Mounting clamp |

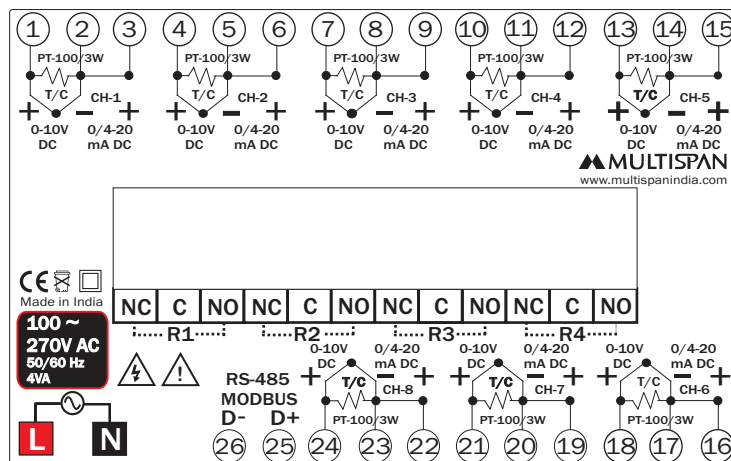
Data Logging(Optional)

| | |
|----------------------------------|---------------------------------|
| Memory Type | Non Volatile (2mb) |
| Data logging type | Periodic |
| RTC time format | DD/MM/YY HH:MM:SS |
| Sampling Time | 1 Sec minimum (Programmable) |
| USB Port | 1 (USB 2.0) Mass Storage |
| USB Function | For retrieving logged data only |
| Storage device format | FAT 32 |
| Data fetch file format | .csv (Microsoft Excel) |
| Data retrieving option | Full data fetch |
| Periodic logging sample numbers | 8000 max. |
| Alarm indication for memory full | After 75% memory occupied |

Mechanical Dimension



Connection Diagram



Multispan reserves the right to change specifications without prior notice. Printing and typographical errors reserved. Product improvement and upgrade is a constant procedure. So for more updated operating information & support contact us.

Multispan Control Instruments Pvt. Ltd.

72/B,Phase 1, GIDC Estate,Vatva,Ahmedabad-382445,Gujarat,India.

+91-7575805463/7623001206

support@multispanindia.com

Follow us



www.multispanindia.com